

E21 Lexus LS400

Last Changed: 13/05/2011

Drawing Ver: 1.0

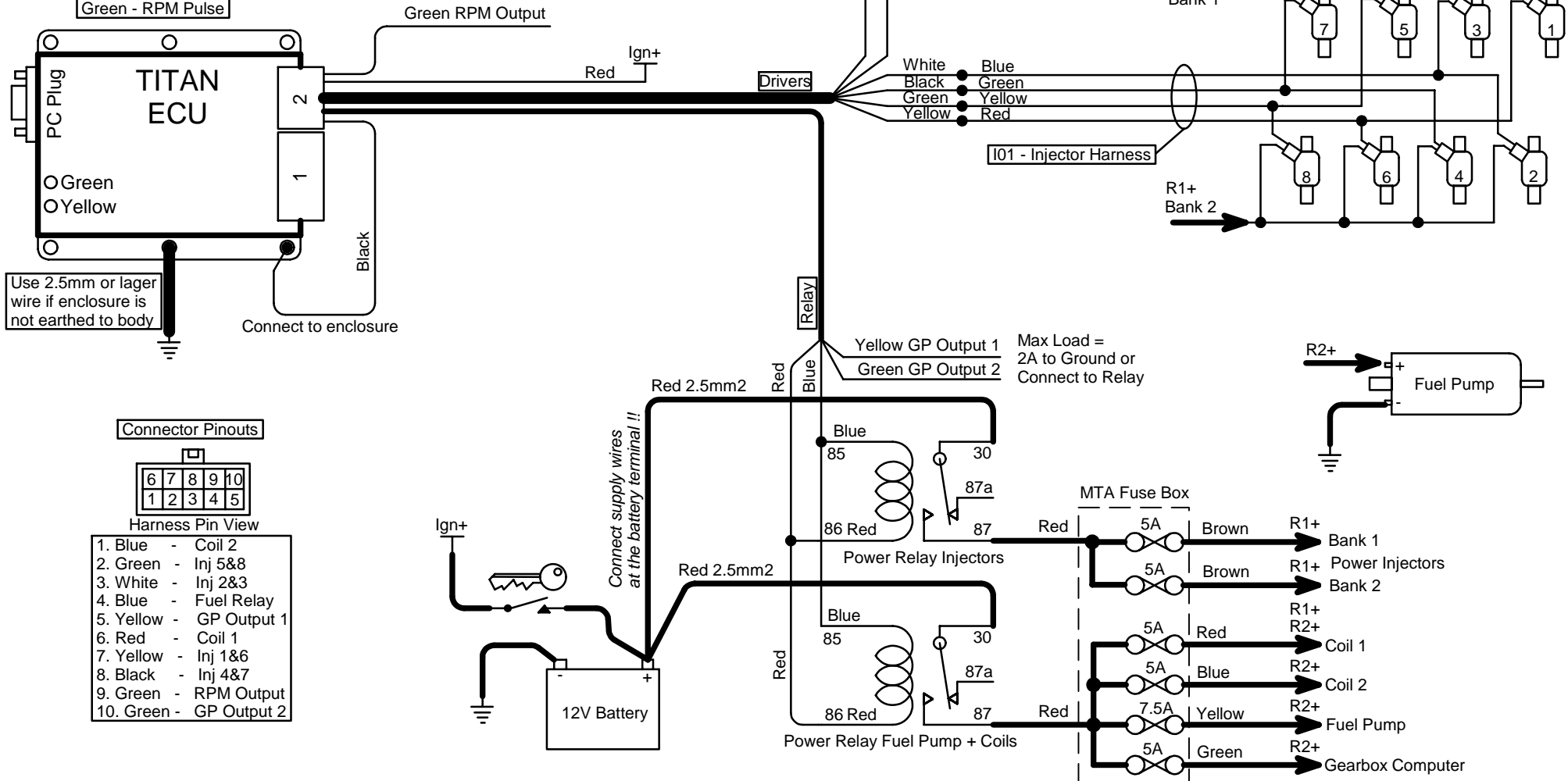
Ign+
|
Ignition Power

Earth

Terminal Connections with the same name are tied together

Led's Functions

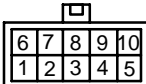
Yellow - Power
Green - RPM Pulse



Use 2.5mm or larger wire if enclosure is not earthed to body

Connect to enclosure

Connector Pinouts



Harness Pin View

- 1. Blue - Coil 2
- 2. Green - Inj 5&8
- 3. White - Inj 2&3
- 4. Blue - Fuel Relay
- 5. Yellow - GP Output 1
- 6. Red - Coil 1
- 7. Yellow - Inj 1&6
- 8. Black - Inj 4&7
- 9. Green - RPM Output
- 10. Green - GP Output 2

Max Load = 2A to Ground or Connect to Relay

Connect supply wires at the battery terminal !!